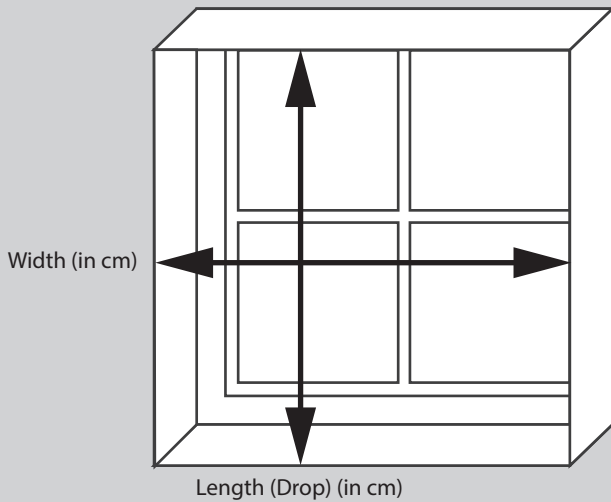


BLINDS MEASURING GUIDE

The first step in measuring for blinds is to decide whether you would like to place your blinds inside or outside the recess.

Inside Recess

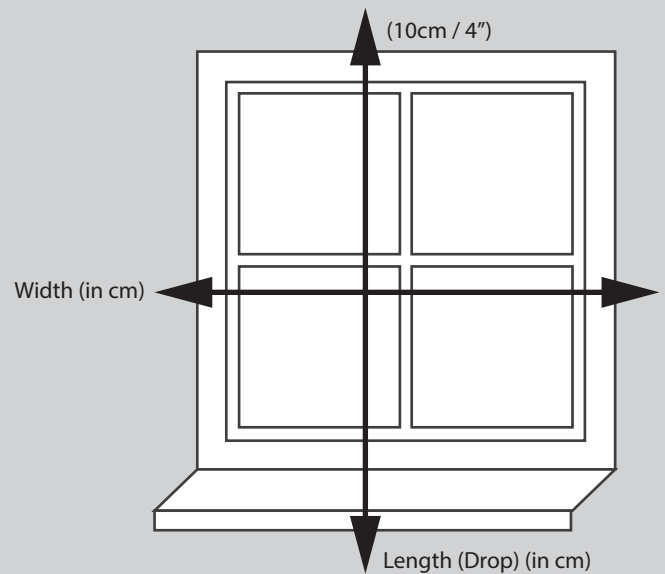


Width: Measure the width of the window inside the recess at three points as the widths may vary, use the shortest width.

Drop (Length): Measure from the top of the recess to the sill.

Deduct 1cm from the overall width and length to allow a small amount of clearance to allow your blind to move up and down freely.

Outside Recess



Width: Measure the width of the recess and add 20cm for the overlap (10cm each side).

Drop (Length): Measure from the top of the recess to the desired length of your blind and add 10cm to allow for the baton and to help block out light and draughts.

YOUR MEASUREMENTS

The measurements below should include any additions or subtractions as detailed above.

Your quote will be calculated on the measurements you provide. AG Curtain Design are not responsible for errors resulting from the supply of incorrect measurements.

Blind One

Width (cm)

Drop (cm)

- Roman
- Venetian
- Roller
- Panel
- Vision
- Vertical

Blind Two

Width (cm)

Drop (cm)

- Roman
- Venetian
- Roller
- Panel
- Vision
- Vertical

Blind Three

Width (cm)

Drop (cm)

- Roman
- Venetian
- Roller
- Panel
- Vision
- Vertical

Blind Four

Width (cm)

Drop (cm)

- Roman
- Venetian
- Roller
- Panel
- Vision
- Vertical

Blind Five

Width (cm)

Drop (cm)

- Roman
- Venetian
- Roller
- Panel
- Vision
- Vertical